



VITAMIX XL® VARIABLE SPEED

Serve More With A Single Blend

Maximize your kitchen's possibilities with the largest capacity, countertop blender. Blend up to 24 (240 ml) servings at once! The XL is engineered to reduce prep-time, improve staff efficiency, and expand your menu capabilities.

Smart Product Design

- Powerful 4,2 peak output HP motor allows heavy blending from delicate tomatoes to dense meat
- Large 5,6 L container provides extra blending capacity for both hot and cold ingredients
- Pulse function and variable speed control allow for flexibility and creativity
- Low countertop profile and removable lid plug make it easy to add ingredients while blending



Blend hot and cold ingredients

Product Specifications

Vitamix XL® Variable Speed Item No. 10185

Motor: ≈4,2 peak output horsepower motor

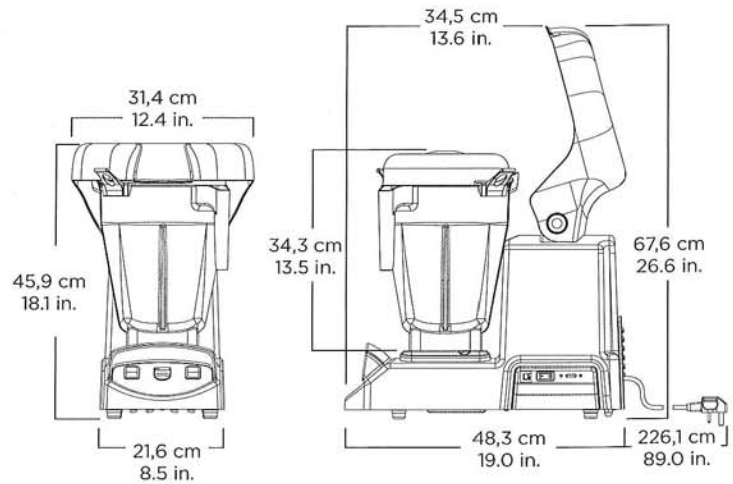
Electrical: 220 - 240 V, 50/60 Hz, 7,5 A

Pack: Includes Vitamix XL with interlock, accelerator tool, and 2 containers (5,6 liters and 2,0 liters) complete with blade assembly and lid.

Net Weight: 22,7 kg

Dimensions: 45,9 x 21,6 x 48,3 cm (H x W x D)

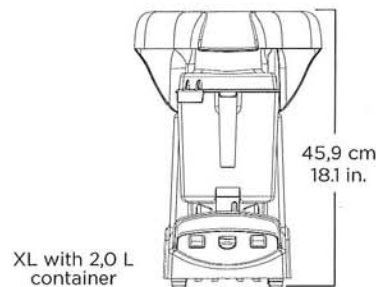
Warranty: Please contact your authorized Vitamix distributor for warranty information.



Included

2,0 L container

Accelerator tool



Where applicable:



Also Available

Additional containers, complete with blade assembly and lid.

Item No. 15899: Vitamix XL container 5,6 L

Item No. 15894: Vitamix XL container 2,0 L

Item No. 10203: XL Variable Speed with interlock, accelerator tool, and 5,6 L / 1.5 Gal container complete with blade assembly and lid.

For more information, please contact an authorized Vitamix distributor, or Vitamix international customer service.



Aishwarya Consolidates Pvt. Ltd.,

#19, Frist Floor, 10th 'B' Main, 27th Cross,

Third Block Jayanagar, BANGALORE – 560 011, INDIA

Tel: +91-80-2664 1200/1/2 Fax: +91-80-2664 1204

E-mail : aishtek@vsnl.com www.aishwaryaconsolidates.com